



**JOHN
ELLIS**

**DISPLAY EXHIBITION
& SHOP EQUIPMENT**



Introduction

Trolleys with baby seats come in all sizes and several colours – red, blue or green. The customer's own logo can be applied, and if you wish, we will keep a supply of trolleys in stock for you. Baskets are also available in red, blue or green, together with a basket with or without castors.

A Flatbed Transportation Trolley Catalogue is also available.

Pictures are not to scale

To see the full product range visit the website or ring now for immediate information

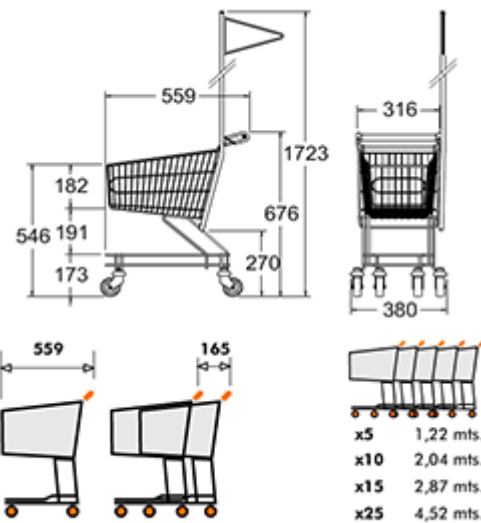
www.shopequip.co.uk

Order now on....

Tel: 01223 376790 or Fax: 01223 305879

John Ellis Shop Equipment Ltd.

Children's Trolley



Finish	Bright Zinc Plated
Wheels	Non-Marking Solid Rubber Tyres - Four Swivel
Length	559mm
Width	316mm
Height	676 (exc. flag)
Capacity	25 Litres

To see the full product range visit the website or ring now for immediate information

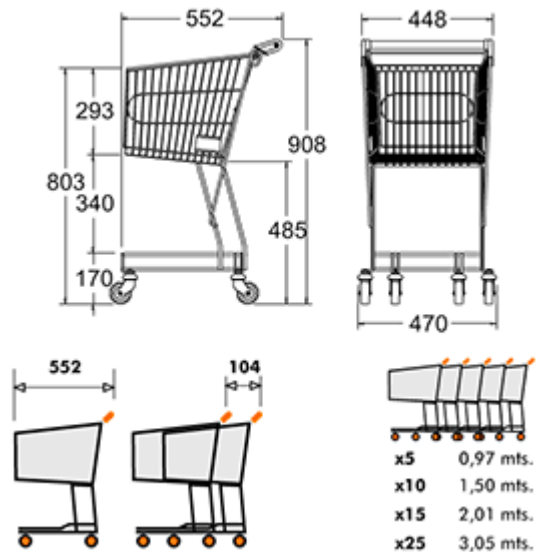
www.shopequip.co.uk

Order now on....

Tel: 01223 376790 or Fax: 01223 305879

John Ellis Shop Equipment Ltd.

Mini Shopping Trolley



Finish	Bright Zinc Plated
Wheels	Non-Marking Solid Rubber Tyres - Four Swivel
Length	52mm
Width	448mm
Height	908mm
Capacity	50 Litres

All shopping trolleys come with option handle colour; Red, Green, or Blue at no additional cost.

To see the full product range visit the website or ring now for immediate information

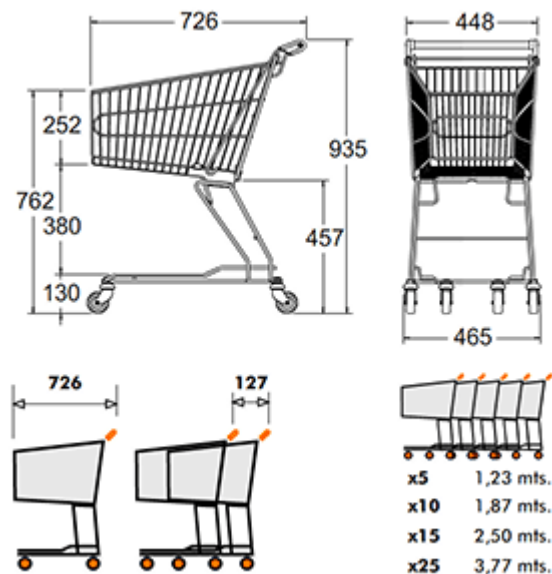
www.shopequip.co.uk

Order now on....

Tel: 01223 376790 or Fax: 01223 305879

John Ellis Shop Equipment Ltd.

60 Litre Traditional Trolley



For supermarkets and stores where aisle width or storage are is confined. Stable design, double ball bearing castor head provides easy manoeuvrability, even when fully loaded.

The larger 80-Litre & 100-Litre trolleys come with folding baby seat as standard.

All shopping trolleys come with option handle colour; Red, Green, or Blue at no additional cost.

Finish	Bright Zinc Plated
Wheels	Non-Marking Solid Rubber Tyres - Four Swivel
Length	726mm
Width	448mm
Height	935mm
Capacity	60 Litres

To see the full product range visit the website or ring now for immediate information

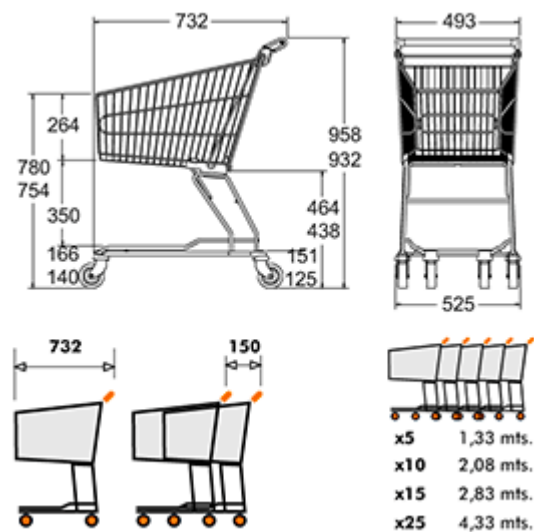
www.shopequip.co.uk

Order now on....

Tel: 01223 376790 or Fax: 01223 305879

John Ellis Shop Equipment Ltd.

80 Litre Traditional Trolley



For supermarkets and stores where aisle width or storage are is confined. Stable design, double ball bearing castor head provides easy manoeuvrability, even when fully loaded.

Comes complete with folding baby seat as standard.

All shopping trolleys come with option handle colour; Red, Green, or Blue at no additional cost.

Finish	Bright Zinc Plated
Wheels	Non-Marking Solid Rubber Tyres - Four Swivel
Length	732mm
Width	493mm
Height	958mm
Capacity	80 Litres

To see the full product range visit the website or ring now for immediate information

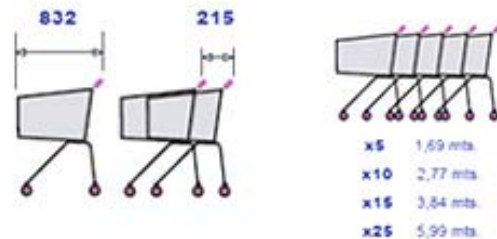
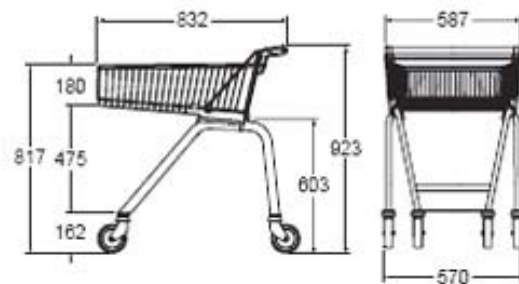
www.shopequip.co.uk

Order now on....

Tel: 01223 376790 or Fax: 01223 305879

John Ellis Shop Equipment Ltd.

80 Litre Shallow Shopper Trolley



This trolley is great for those customers wanting a quick light shop, ideal for a single person. This trolley is also great for the elderly or those with a bad back, its shallow depth stops you from bending into the basket.

For supermarkets and stores where aisle width or storage are is tight. These trolleys are great for any sized shops. Stable design, double ball bearing castor head provides easy manoeuvrability, even when fully loaded.

All shopping trolleys come with option handle colour; Red, Green, or Blue at no additional cost

Finish	Bright Zinc Plated
Wheels	Non-Marking Solid Rubber Tyres - Four Swivel
Length	832mm
Width	587mm
Height	923mm
Capacity	80 Litres

To see the full product range visit the website or ring now for immediate information

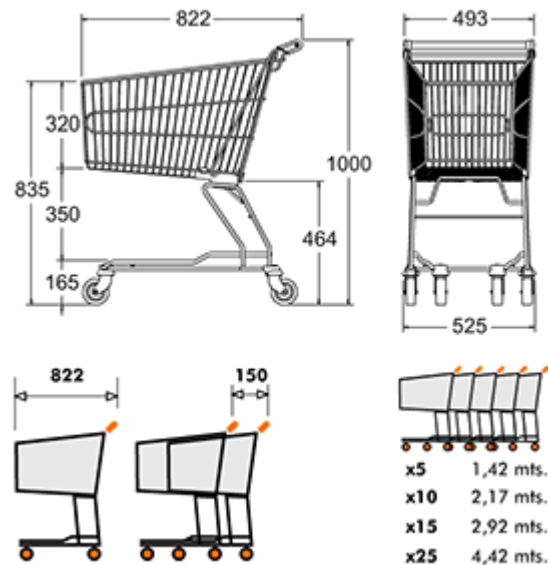
www.shopequip.co.uk

Order now on....

Tel: 01223 376790 or Fax: 01223 305879

John Ellis Shop Equipment Ltd.

100 Litre Traditional Trolley



For supermarkets and stores where aisle width or storage are is confined. Stable design, double ball bearing castor head provides easy manoeuvrability, even when fully loaded.

Comes with folding baby seat as standard.

All shopping trolleys come with option handle colour; Red, Green, or Blue at no additional cost

Finish	Bright Zinc Plated
Wheels	Non-Marking Solid Rubber Tyres - Four Swivel
Length	822mm
Width	493mm
Height	1000mm
Capacity	100 Litres

To see the full product range visit the website or ring now for immediate information

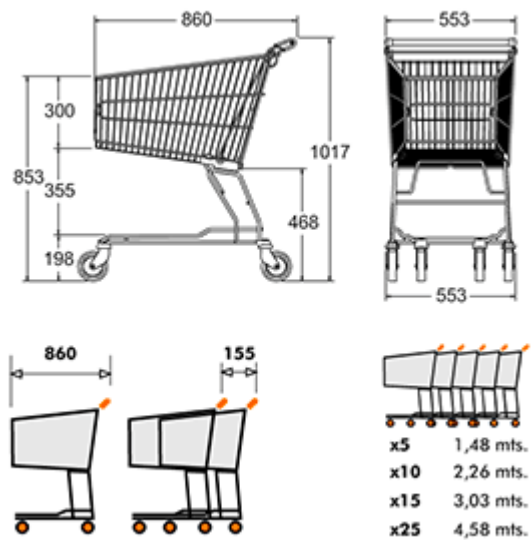
www.shopequip.co.uk

Order now on....

Tel: 01223 376790 or Fax: 01223 305879

John Ellis Shop Equipment Ltd.

120 Litre Traditional Trolley



For supermarkets and stores where aisle width or storage are is confined. Stable design, double ball bearing castor head provides easy manoeuvrability, even when fully loaded.

Comes with folding baby seat as standard.

All shopping trolleys come with option handle colour; Red, Green, or Blue at no additional cost

Finish	Bright Zinc Plated
Wheels	Non-Marking Solid Rubber Tyres - Four Swivel
Length	860mm
Width	553mm
Height	1017mm
Capacity	120 Litres

To see the full product range visit the website or ring now for immediate information

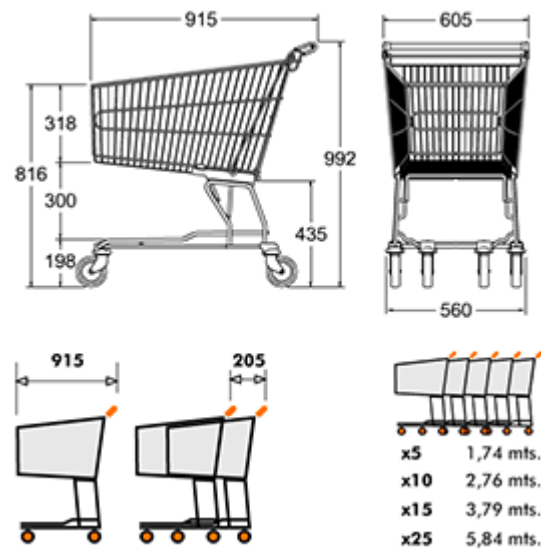
www.shopequip.co.uk

Order now on....

Tel: 01223 376790 or Fax: 01223 305879

John Ellis Shop Equipment Ltd.

140 Litre Traditional Trolley



For supermarkets and stores where aisle width or storage are is confined. Stable design, double ball bearing castor head provides easy manoeuvrability, even when fully loaded.

Comes with folding baby seat as standard.

All shopping trolleys come with option handle colour; Red, Green, or Blue at no additional cost

Finish	Bright Zinc Plated
Wheels	Non-Marking Solid Rubber Tyres - Four Swivel
Length	915mm
Width	605mm
Height	992mm
Capacity	140 Litres

To see the full product range visit the website or ring now for immediate information

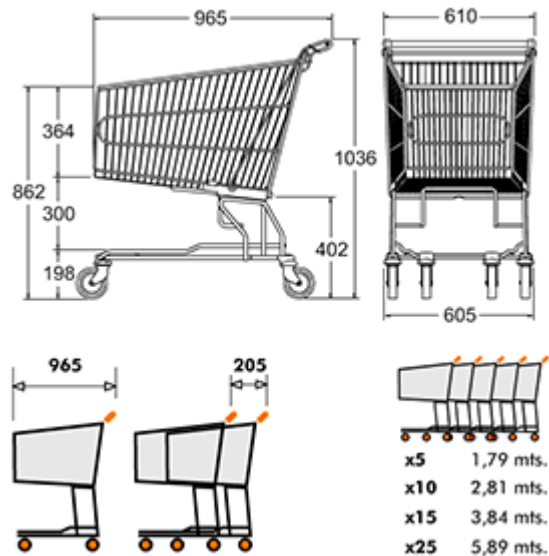
www.shopequip.co.uk

Order now on....

Tel: 01223 376790 or Fax: 01223 305879

John Ellis Shop Equipment Ltd.

180 Litre Traditional Trolley



For supermarkets and stores where aisle width or storage are is confined. Stable design, double ball bearing castor head provides easy manoeuvrability, even when fully loaded.

Comes with folding baby seat as standard.

All shopping trolleys come with option handle colour; Red, Green, or Blue at no additional cost

Finish	Bright Zinc Plated
Wheels	Non-Marking Solid Rubber Tyres - Four Swivel
Length	965mm
Width	610mm
Height	1036mm
Capacity	180 Litres

To see the full product range visit the website or ring now for immediate information

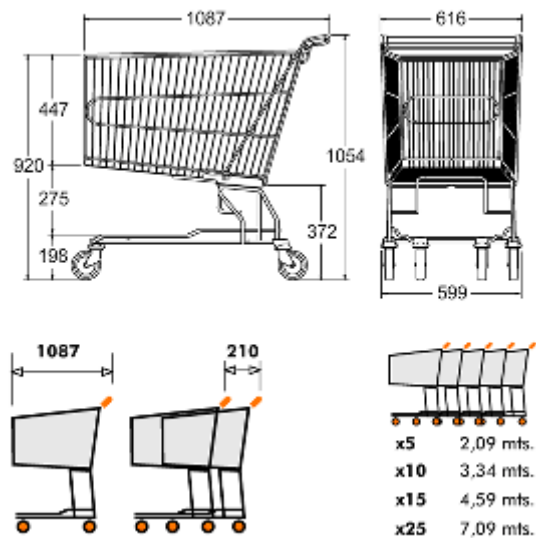
www.shopequip.co.uk

Order now on....

Tel: 01223 376790 or Fax: 01223 305879

John Ellis Shop Equipment Ltd.

240 Litre Traditional Trolley



For supermarkets and stores where aisle width or storage are is generous. Stable design, double ball bearing castor head provides easy manoeuvrability, even when fully loaded.

The trolleys come with folding baby seat as standard.

All shopping trolleys come with option handle colour; Red, Green, or Blue at no additional cost.

Finish	Bright Zinc Plated
Wheels	Non-Marking Solid Rubber Tyres - Four Swivel
Length	1087mm
Width	616mm
Height	1054mm
Capacity	240 Litres

To see the full product range visit the website or ring now for immediate information

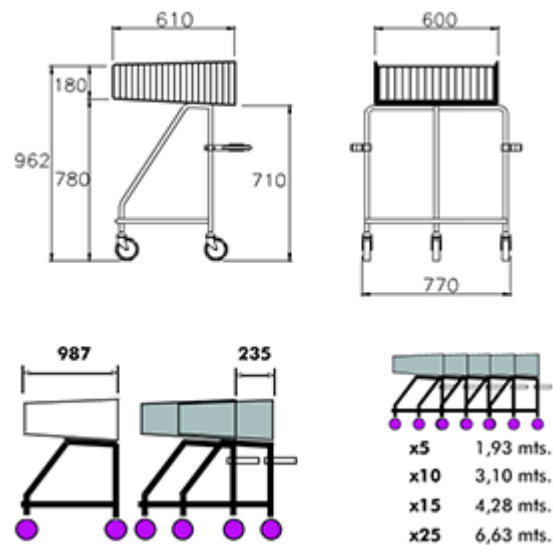
www.shopequip.co.uk

Order now on....

Tel: 01223 376790 or Fax: 01223 305879

John Ellis Shop Equipment Ltd.

Disabled Shopping Trolley



With an ever growing ageing population comes the inevitable growth of those in wheel chairs. Win business and comply with disability legislation with this great wheelchair shopping trolley!

The back of the basket opens to ease the loading of products.

Stable design, double ball bearing castor head provides easy manoeuvrability, even when fully loaded.

Finish	Bright Zinc Plated
Wheels	Non-Marking Solid Rubber Tyres - Three Swivel
Length	610mm
Width	600mm
Height	962mm
Capacity	62 Litres

To see the full product range visit the website or ring now for immediate information

www.shopequip.co.uk

Order now on....

Tel: 01223 376790 or Fax: 01223 305879

John Ellis Shop Equipment Ltd.

Plastic Shopping Baskets



Plastic Shopping Baskets, Lightweight and stackable with a strong, fold-flat handle. 24 litre capacity.

Priced & packed in cartons of 10 baskets. Quantity discounts are based on multiples of 10 baskets.

A mobile stacker is also available.

To see the full product range visit the website or ring now for immediate information

www.shopequip.co.uk

Order now on....

Tel: 01223 376790 or Fax: 01223 305879

John Ellis Shop Equipment Ltd.

Wire Shopping Baskets



These hard wearing, rust resistant zinc shopping baskets are ideal for the quick shop that seem so much a part of modern life!

Comes with plastic covered handles in a choice of colours to match your shop's theme; standard colours are Red, Green or Blue.

Size:19 Litre

Priced & packed in cartons of 10 baskets. Quantity discounts are based on multiples of 10 baskets.

To see the full product range visit the website or ring now for immediate information

www.shopequip.co.uk

Order now on....

Tel: 01223 376790 or Fax: 01223 305879

John Ellis Shop Equipment Ltd.

Net Shopping Basket



Round Netting Strong, fishing style shopping baskets in a choice of 4 colours - Green, Blue, Black and Navy.
Easy to use, convenient to store and a brilliant space saver.

Priced and packed in quantities of 10 units. Quantity discounts are based upon multiples of 10 units.

Comfortable plastic handle. 40cm (16 in.) diameter, 35cm (14 in.) deep.

To see the full product range visit the website or ring now for immediate information

www.shopequip.co.uk

Order now on....

Tel: 01223 376790 or Fax: 01223 305879

John Ellis Shop Equipment Ltd.

Mobile Stacker



For plastic and wire baskets.

Completely portable, allowing baskets to be moved easily reducing risk of back injury.

Unique clip holds baskets firmly in place for safe and secure handling on the move.

Easy to clean with a high quality durable plastic finish.

Holds 31 wire or 15 plastic baskets. Baskets sold separately.

Standard colour green. Red or blue available for special order.

To see the full product range visit the website or ring now for immediate information

www.shopequip.co.uk

Order now on....

Tel: 01223 376790 or Fax: 01223 305879

John Ellis Shop Equipment Ltd.

Wire Shopping Basket Stacker



Strong, chrome-plated steel shopping basket stacker

To see the full product range visit the website or ring now for immediate information

www.shopequip.co.uk

Order now on....

Tel: 01223 376790 or Fax: 01223 305879

John Ellis Shop Equipment Ltd.

Net Basket Stacker



Net Basket Stackers Chrome plated rack holds up to 50 baskets.

Height 68cm (27in.). Supplied flat packed for easy assemble using a phillips screwdriver.

To see the full product range visit the website or ring now for immediate information

www.shopequip.co.uk

Order now on....

Tel: 01223 376790 or Fax: 01223 305879

John Ellis Shop Equipment Ltd.